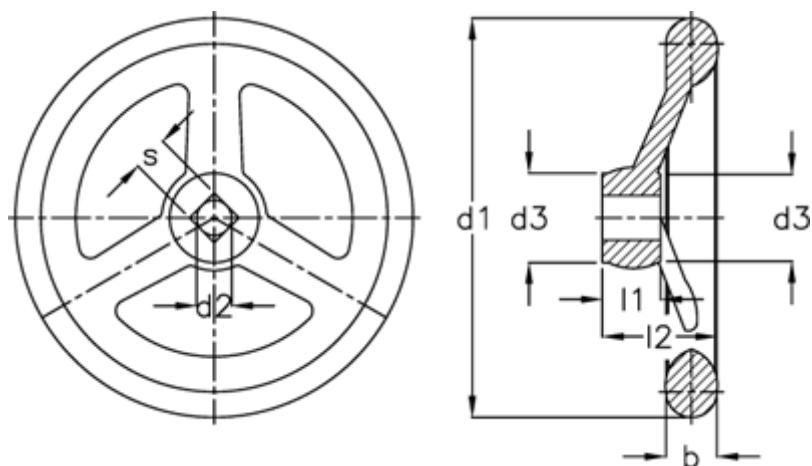


Article number: 20303354

Description: E+G Handwheel  
DIN 950-GG-400-K32-A

## Measures



b	= 32
d1	= 400
d2 H7	= 32
d3	= 65
l1	= 38
l2	= 63
Number of spokes	= 5